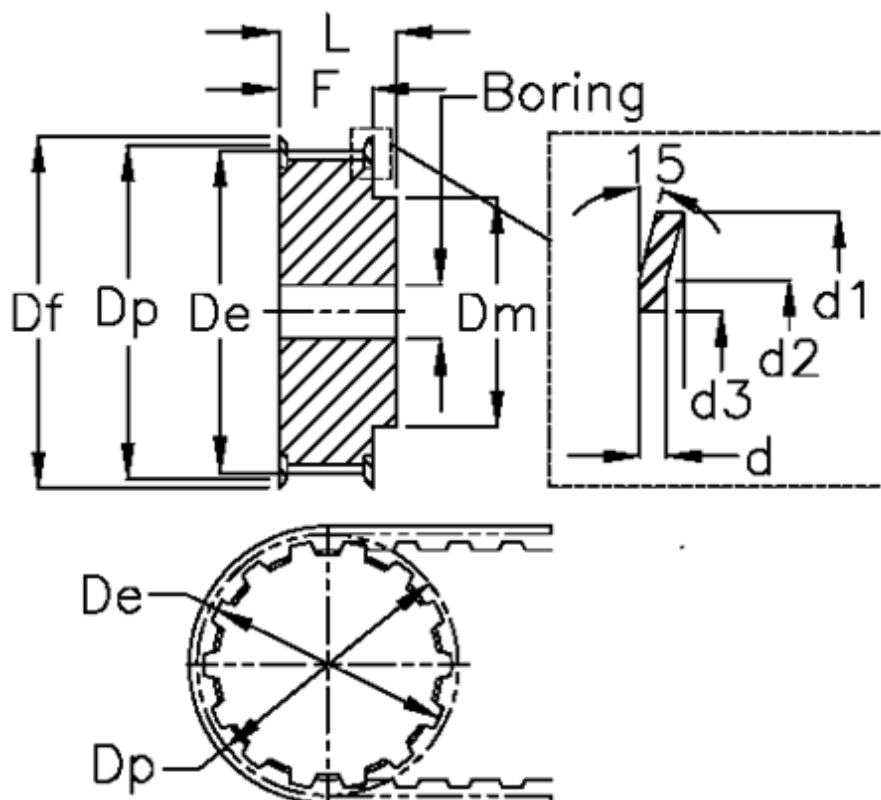


Article number: 60415440027

Description: Timing Belt Pulley 40 AT10 27/2

Measures



| | | |
|----------------------|--------------|---------|
| Belt width = - 25 mm | D_p | = 86.1 |
| d = 1 | F | = 30 |
| d_1 = 91 | Flange type | = F31 |
| d_2 = 85.5 | L | = 40 |
| d_3 = 76 | Pre-drilled | = 8 |
| D_e = 84.1 | Tooth number | = 27 |
| D_f = 91 | Type | = AT10 |
| D_m = 60 | Weight | = 0.536 |